

Water Cooled



Three Phase



50Hz



Non-Compliant



Diesel

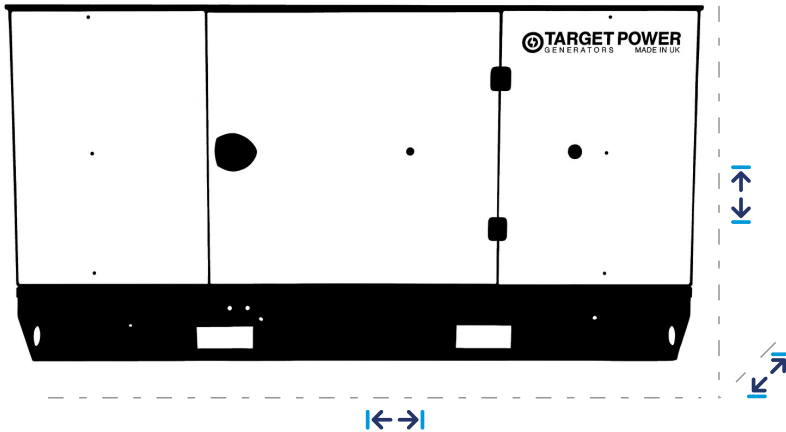
	Generator Ratings (Prime/Standby)		
	TP33	TP50	TP66
PRIME POWER:	30 kVA 24 kW	45 kVA 36 kW	60 kVA 48 kW
STANDBY POWER:	33 kVA 26 kW	50 kVA 40 kW	66 kVA 53 kW
RPM:	1500	1500	1500
POWER FACTOR:	0.8	0.8	0.8

TARGET STANDBY PRO SERIES – With Perkins Engines coupled to Stamford or Meccalte or Leroy Somer Alternators.

Our diesel generators are available as an open type or built in to soundproof canopies.

Please contact Target on: 0333 0344554 for full specification and details.

CANOPY GENERATORS



Dimensions & Weights			
	TP33	TP50	TP66
↔	2240	2240	2240
↙↘	1038	1038	1038
↑↓	1378	1378	1378
⚖️	1126	1126	1126



Security and Safety

- Control panel viewing window integrated into a lockable access door.
- Lockable canopy doors.
- Emergency stop push button positioned on the exterior of the enclosure for quick access.
- Internal fuel filling point and fuel gauge designed to enhance safety and reduce environmental risk.
- Residential-grade exhaust silencer installed within the canopy for reduced noise levels.

Excellent Service and Maintenance Access

- Large access doors with service grommets for easy maintenance.
- Radiator filling point conveniently located on the canopy roof.
- Colour-coded wiring looms for simplified identification and maintenance..

Transportability

- Forklift space strong enough to support whole generator.

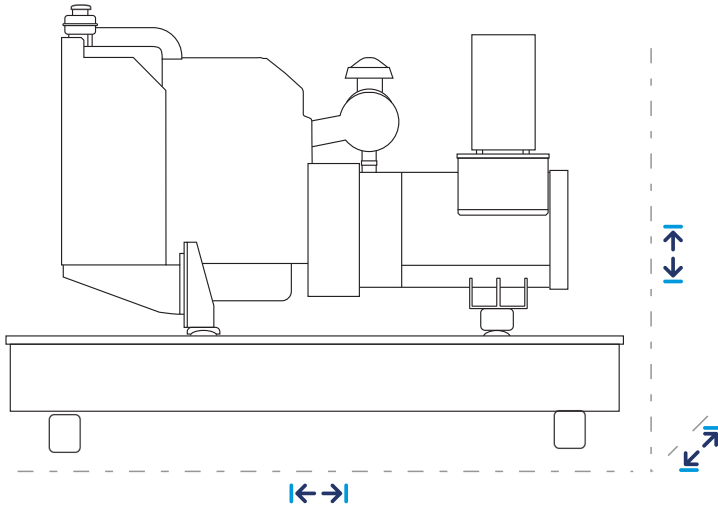
Specific Canopy Features:

Externally mounted emergency stop button for quick and safe shutdown.

Integrated bunded base fuel tank for UK specification units.

Heavy-duty forklift pockets designed to support the full generator weight.

Easy-access roof-mounted water filling point for quick and safe refilling.



OPEN TYPE GENERATORS

Dimensions & Weights			
	TP33	TP50	TP66
↔	1488	1700	1700
↙↘	702	702	702
↑↓	1385	1385	1385
⚖️	865	865	865

Key Features

- Heavy-duty skid base constructed from high-grade steel for strength and durability.
- Large, robust fuel tank designed to provide a minimum of 8 hours of continuous operation.
- Mechanical fuel gauge for quick and easy level monitoring.
- High-quality, noise-reducing exhaust silencer for quieter operation.
- Anti-vibration mounts between the engine and alternator to minimize vibration and wear.
- Colour-coded wiring looms for simplified maintenance and servicing.



Excellent Service and Maintenance Access

- Easy fuel filling point
- Forklift space strong enough to support whole generator.

Security and Safety

- Lockable control panel for security and protection.
- Externally mounted emergency stop button for rapid shutdown in emergencies.
- Fully guarded cooling fan and battery charging alternator for enhanced operator safety.

Specific Open Type Features:

Externally mounted emergency stop button for quick and safe shutdown.

Integrated bunded base fuel tank for UK specification units.

Heavy-duty forklift pockets designed to support the full generator weight.

Heavy-duty skid base constructed from high-grade steel.

		Fuel Consumption & Sound Levels		
		TP33	TP50	TP66
TANK CAPACITY: (Litres)		SP 80 / OP 125	SP 80 / OP 125	SP 80 / OP 75
	110%	8.0	11.7	15.8
FUEL CONSUMPTION: (Litres per Hour)	100%	7.3	10.5	14.6
	75%	5.6	7.98	10.8
SOUNDPROOFED CANOPY dBA RATINGS: (75%)	7M	76	76	76
	1M	85	85	85

		Engine Technical Data		
		TP33	TP50	TP66
ENGINE BRAND:		Perkins	Perkins	Perkins
ENGINE MODEL:		1103A-33G	1103A-33TG1	1103A-33TG2
INDUCTION:		Nat. Aspirated	Turbo Charged	Turbo Charged
COOLING:		Water Cooled	Water Cooled	Water Cooled
GOVERNOR TYPE:		Mechanical	Mechanical	Mechanical
CYLINDER:		3	3	3
BORE STROKE (mm):		105 x 127	105 x 127	105 x 127
COMPRESSION RATIO:		19.25:1	17.25:1	17.25:1
DISPLACEMENT: (L)		3.3	3.3	3.3
OIL CAPACITY:		8.3	8.3	8.3

		Alternator Technical Data		
		TP33	TP50	TP66
ALTERNATOR MODEL:	MeccAlte	ECP28-VL/4	ECP32-2S	ECP32-2M
	Stamford	S0L2-P	S1L2-N	S1L2-Y
BEARINGS:		1	1	1
WINDING PITCH:		2/3	2/3	2/3
WIRES:		12	12	12
CLASS:		H	H	H
VOLTAGE REGULATOR:		AREP/AVR	AREP/AVR	AREP/AVR
PROTECTION:		IP23	IP23	IP23

AUTO START / MANUAL CONTROL PANEL (STANDARD)

Deep Sea Electronics (DSE) is a global leader in generator controls, transfer switches, and battery chargers, employing over 120 staff worldwide and supplying high quality controllers from its UK headquarters.



DSE4520 Manual Control Module

Please see Deep Sea PLC Control Module brochure for full specification.



DSE 6120 Auto Mains Failure Control Module

Please see Deep Sea PLC Control Module brochure for full specification.



DSE7000 Series – Auto Mains Failure Control Module

Please see Deep Sea PLC Control Module brochure for full specification.



OPTIONAL ACCESSORIES

Operation:

- Automatic Transfer Switches
- Manual Transfer Switches
- Automatic Fuel Transfer
- External Plug Sockets

Control:

- GSM Modem
- Remote Control Start

Service & Maintenance:

- Minor & Major Service Parts
- Service Contracts (UK Customers)

Further Options:

- Fuel Tanks – External/Large/Underground
- Bespoke Canopies (including Colour)
- Slow/Fast Trailer
- & Many More

GENERATOR ESSENTIAL SERVICE PARTS

Alongside our extensive stock of **Target Diesel generator parts**, the **Target Essential Parts Division** provides genuine and replacement components for all leading brands – with worldwide dispatch available 24/7.



Your local dealer:

Target Power Generators Ltd
www.target-generators.com

