



Equipped with a reliable
Kubota Z482 engine



Triple gear pump (14.4 + 9.6
+ 9.6 L/min) for precise and
stable operation



3-section dual-circuit me-
chanical valve for precise
and efficient control



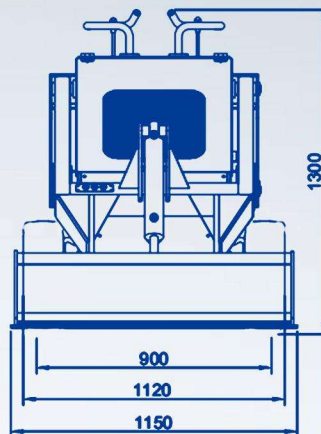
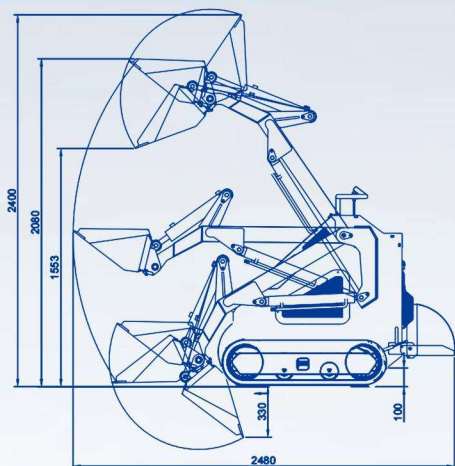
5 auxiliary lines with
return line for versatile
attachment use



Modular drive system: 15-min
quick swap between tracks and
wheels for all terrains



Standard quick coupler,
fits mainstream attach-
ments, 30-sec fast switch



Unit: mm

Basic performance parameters	Machine operating weight	1958lb	890kg	Engine	Supporting assistive devices	Low-power auxiliary equipment weighing less than 300kg	
	Bucket capacity	5.3ft ³	0.15m ³		Auxiliary equipment flow	3.8gpm	14.4L/min
	Rated load mass	385.0lb	175kg		Travel hydraulic motor type	Orbital Motor	Orbital Motor
	Maximum load mass	660.0lb	300kg		Travel motor brand	Deston	Deston
	Travel speed low/high speed	0-1.55mph / none	0-2.5km/h / none		Motor displacement	315	315
	Gradeability	25%	25%		Engine brand	Kubota	Kubota
	Ground pressure	3.65psi	25.17kpa		Engine model	Z482	Z482
	Maximum unloading height	61.1in	1553mm		Maximum horsepower	11.1hp	11.3ps
	Maximum loading height	81.9in	2080mm		Maximum power	8.3kw	8.3kw
	Maximum unloading distance	21.7in	550mm		Maximum speed	3600rpm	3600rpm
Minimum ground clearance	4.3in	108mm	Displacement	0.13gal	0.479L		
Hydraulic system	Main pump type/model	Triple gear pump	Triple gear pump	Number of cylinders	2	2	
	Main pump brand	Tianjin Walking	Tianjin Walking	Cooling method	Water-cooled	Water-cooled	
	Main pump maximum flow	3.8+2.5+2.5gpm	14.4+9.6+9.6 L/min	Engine oil change amount	0.66gal	2.5L	
	Multi-way valve type/model	Mechanical valve	Mechanical valve	Fuel form	Diesel	Diesel	
	Multi-way valve brand	Tengfei	Tengfei	Fuel grade	0/-10	0/-10	
	Multi-way valve-middle	Two-way multi-way valve	Two-way multi-way valve	Theoretical fuel consumption	0.8-1.2L/h	0.8-1.2L/h	
	Multi-way valve - left	Two-way multi-way valve	Two-way multi-way valve	Body	Transport length - with bucket	77.6in	1970mm
	Multi-way valve-right	Two-way multi-way valve	Two-way multi-way valve		Transport length - without bucket	59.8in	1520mm
	Number of pumps	3	3		Transport width	45.3in	1150mm
	Work Pressure	2320.6psi	16MPa	Transport height	51.2in	1300mm	
Maximum set pressure	3626psi	25MPa	Bucket width	45.3in	1150mm		
Number of auxiliary oil circuits	Two groups of five		Tank	Fuel tank	2.9gal	11L	
Type of connector	Main oil line: 3/8, Return oil line: 3/8			Hydraulic oil tank	6.6gal	25L	

SCENARIO APPLICATION

Compact and agile design, ideal for home use, widely applicable in yard landscaping, gardening, garage cleaning, small-scale demolition, road maintenance, and other DIY outdoor projects, tackling various everyday tasks with ease.

Dealer / Name:

WhatsApp / Phone:

Address:

Email: