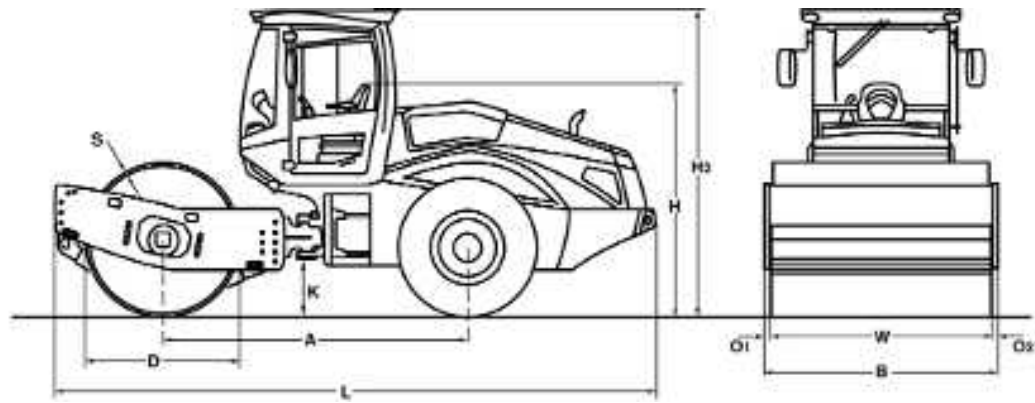


TECHNICAL DATA

BOMAG VARIOCONTROL (BVC)

BW 213 BVC-5 PL





Dimensions in mm

	A	B	D	H	H2	K	L	O1	O2	S	W
BW 213 BVC-5 PL2975	2270	1500	2250	2990	490	5870	70	70	30	2130	

Shipping dimensions in m3

BW 213 BVC-5 PL

without ROPS

29,981

with ROPS

39,841

Machine type	Compaction output (m3/h)			
	Rock fill	Gravel, sand	Mixed soil	Silt, clay
BW 213 BVC-5 PL	700-1400	480-960	360-720	210-420

Machine type	Compacted layer thickness (m)			
	Rock fill	Gravel, sand	Mixed soil	Silt, clay
BW 213 BVC-5 PL	1,20	0,80	0,60	0,30

Technical Data

BOMAG BW 213 BVC-5 PL

Weights

Grossweight	kg	16.170
Operating weight CECE w. ROPS-cabin	kg	13.820
Axle load, drum CECE	kg	8.500
Axle load, wheels CECE	kg	5.320
Static linear load CECE	kg/cm	39,9

Dimensions

Working width	mm	2.130
Track radius, inner	mm	3.680

Driving Characteristics

Speed	km/h	0- 12,0
Max. gradeability without/with vibr.	%	58/55

Drive

Engine manufacturer		Deutz
Engine type		TCD 4.1 L04
Emission stage		Stage V / TIER4f
Exhaust gas aftertreatment		DOC+DPF+SCR
Cooling		Liquid
Number of cylinders		4
Performance ISO 3046	kW	115,0
Performance SAE J 1995	hp	155,0
Speed	min-1	2.100
Fuel		Diesel
Electric equipment	V	12
Drive system		hydrost.
Drum driven		standard

Drums and Tyres

Tyre size		23.1-26 12PR
-----------------	--	--------------

Brakes

Service brake		hydrost.
Parking brake		hydromec.

Steering

Steering system		oscil.artic.
Steering method		hydrost.
Steering / oscillating angle +/-	grad	35/12

Exciter system

Drive system		hydrost.
Frequency (1)	Hz	28
Amplitude (1)	mm	0 - 2,25
Centrifugal force 1	kN	365
Centrifugal force 1	t	37,2

Capacities

Fuel	l	250,0
------------	---	-------

Technical modifications reserved. Machines may be shown with options.

Standard Equipment

- BOMAG ECOMODE
- BOMAG VARIOCONTROL
- TERRAMETER
- Oscillation mode
- Warning, information and operation displays with LCD
- Hydrostatic travel and vibration drive
- Hydrostatic articulated steering
- Articulated joint lock
- Rear axle with twin spring accumulator brakes
- Self locking differential
- Warning horn
- Single lever control for travel and vibration
- Seat with arm rest and adj. for position and height
- 2 Scraper
- Emergency STOP
- Back-up alarm
- Working lights front / rear
- Double pump system for travel drive
- TERRAMETER
- Loading mode
- Battery disconnect switch
- BOMAG TELEMATIC
- Tinted safety glass panes
- Measuring- and machine data interface

Optional Equipment

- * ROPS/FOPS cabin with seat belts
 - Sliding window
- Air condition
- Rearview camera
- BOMAG ECOSTOP
- Padfoot segment kit
- Radio (DAB)
- Indicator and hazard lights
- Special painting
- Rotary beacon
- Pre start cabin heating
- Environmentally compliant hydraulic oil
- Comfort package: Adjustable seat and adjustable steering column
- Comfort package PLUS:
 - Air suspended seat, swivel
 - Adjustable steering column
- Comfort package PLUS 2:
 - Air suspended seat, swivel
 - Adjustable steering column
- LED working lights
- Highly wear resistant drum
- Reversing alarm buzzer with broad band audio
- Fleet Management Access
- 360° Camera system
- Remote Control
- Tractor tires
- Rock tyre
- Radial tires
- Protective ventilation pre-installation
- Cold start device
- BOMAP GPS antenna set
- BOMAP GPS antenna holder
- JOBLINK measuring technology interface
- By-pass filter
 - * Standard delivery with CE conformity (valid within European Union)

