



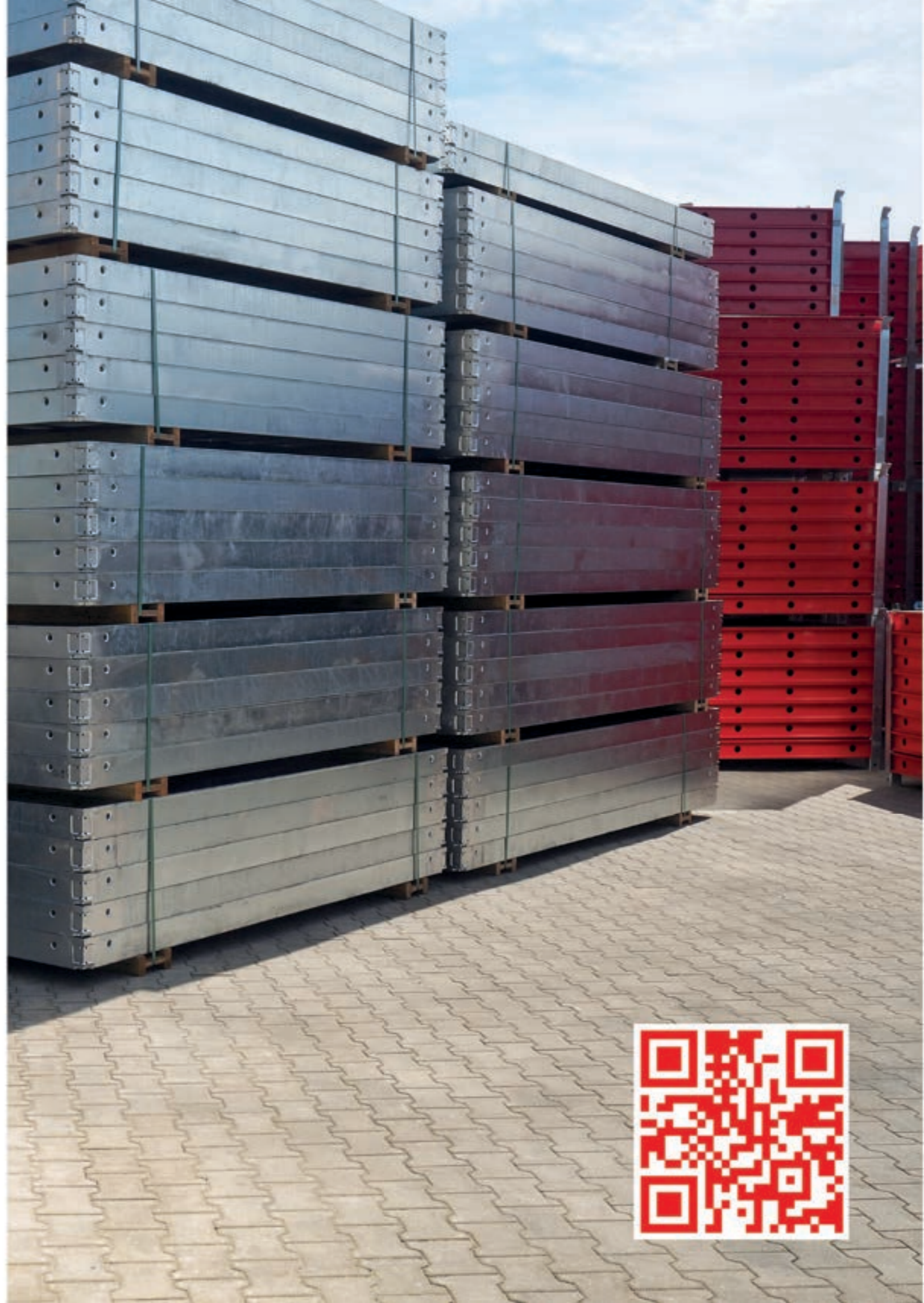
MANAFORM

Dieselstr. 21a
D-44805 Bochum

Telefon | Phone: +49 (0)2365 20 22 678
Fax: +49 (0) 2365 20 22 679
email: info@manaform.de
<https://manaform.de>

MANAFORM
MODULAR SLAB FORMWORK | SYSTEM ELEMENT T

MANIFLOPRO



■ MANAFORM SLAB FORMWORK · SYSTEM ELEMENT T

AT A GLANCE: WHY MANAFORM ELEMENT T?

The Element T is the next generation of proven modular frame formwork. We've re-engineered conventional systems from the ground up, eliminating common weak points with smart technical upgrades.

■ ENGINEERING UPGRADES

- 2.8 mm Profile Thickness: Enhanced torsional stiffness engineered for maximum load capacities.
- Solid Cast Corner Reinforcements: Extreme impact resistance to protect the frame exactly where conventional systems fail.
- Hot dip galvanized Finish: Long-lasting corrosion protection and effortless cleaning.

■ SMART DETAILS

- Conical Tie Holes: Save time on every pour with intuitive, jam-free tie guiding.
- Premium Facing: 18 mm phenolic resin coating for a flawless concrete finish and maximum reusability.
- Rear-Screwed Design: Fastened from behind to guarantee a smooth concrete surface entirely free of rivet marks.

■ THE MANAFORM ALIGNMENT COUPLER

The heart of our system

- Flawless Flush Alignment: Joins panels seamlessly without any offset.
- Precise Linear Alignment: Ensures a perfectly straight formwork wall every time.
- Friction-Locked Connection: A tight, secure seal that prevents grout leakage.
- Maximum Versatility: Safely bridges timber fillers up to 10 cm with full-surface support.



■ THE FLEXIBLE GRID SYSTEM

- Widths: 30 | 60 | 72 | 90 | 120 | 240 cm
- Lengths: 120 | 270 | 330 cm
- Custom sizes available on request.

MANAFORM ELEMENT T:

- Superior Substance.
- Superior Precision.
- Superior Efficiency.

■ MANAFORM SLAB FORMWORK · SYSTEM ELEMENT T

MANAFORM SYSTEM ELEMENT T

Steel power for pros: Element T is the high-end answer to conventional slab formwork. Where standard systems reach their limits, MANAFORM Element T is just getting started: Maximum material, maximum protection, maximum service life.

The system utilizes the proven alignment coupler principle: Join, align, and seal in a single hammer blow.

Optimized for fast crane transport of large units.

For construction site areas without crane access or for manual handling, we offer the Element T aluminum variant – featuring the exact same system logic and full compatibility.

MANAFORM Element T: Built for the toughest jobs.



SAFETY

- **Massive Protection:** The integrated cast corners serve as active impact protection, preventing structural damage to the corners.
- **High Stability:** With a 2.8 mm wall thickness, the steel profile offers superior torsional stiffness and safely withstands even maximum fresh concrete pressure.
- **Reliable Connection:** The proven alignment clamp guarantees a friction-locked, tight, and flush panel connection.

EFFICIENCY

- **Single-Hammer Principle:** The alignment clamp connects, aligns, and seals in a single, time-saving step.
- **Low Maintenance:** The conical tie holes feature a self-cleaning design, massively reducing cleaning time after use.
- **Crane-Optimized:** The robust system allows for the rapid repositioning of large, pre-assembled formwork units.

ECONOMIC ADVANTAGE

- **Maximum Service Life:** Full hot dip galvanization (inside & out) provides permanent corrosion protection.
- **Increased Shuttering Cycles:** The 18 mm thick formwork panel comes with a 220 g/m² coating. It is abrasion-resistant and allows numerous concrete pours.
- **Low Maintenance:** High-strength steel and cast corners minimize expensive frame repairs.



TECHNICAL DATA

MODULAR FRAME FORMWORK ELEMENT T	
Panel widths	30 60 72 90 120 240 cm weitere Größen auf Anfrage
Panel lengths	120 270 330 cm
Profile thickness	Outer profile: 2,8mm stark S420MC steel Inner profile (Lifting): 2,8mm stark S355MC steel
Facing type	18mm phenolic resin panel · 220g/m ²
Corrosion protection	Hot dip galvanized
Compatibility	Compatible with MANAFORM Element T Alu and others
Accessories	<ul style="list-style-type: none"> • Hinged corner (HDG) with plate 120 270 330cm • Stripping corner (HDG) incl. spindle 120 270 330cm • Spindle for stripping corner, galv. • Wall thickness compensation 120x 270x 330x · 5 6 10 cm, alu, pc • Push-pull prop adapter 12cm with PIN (HDG) • Lifting hook H 1,5t with EU certificate • APC clamp (HDG) long (380) • Compensation waler (HDG) 85cm 120cm + claw wedge • Corner waler 45cm (HDG) • Stop end tie (HDG) • Hook tie DW15/400mm (HDG) forged • Scaffolding bracket (HDG) 80 100/112 two parted • Perforated foundation tie (HDG) • Foundation tie clamp (HDG) • Top tie bracket (HDG) • Wing nut · DW 15 12x12cm (HDG) • Counter railing Railing post (HDG) • Foundation bracket (HDG)
Ersatzteile	<ul style="list-style-type: none"> • Anchor sleeve DW 20 PVC Corner sleeve DW 20 PVC • Stainless steel sleeve for 18 mm replacement facings • Sealing plug 20/24 • Various repair profiles with and without tie hole • Triangle for panel



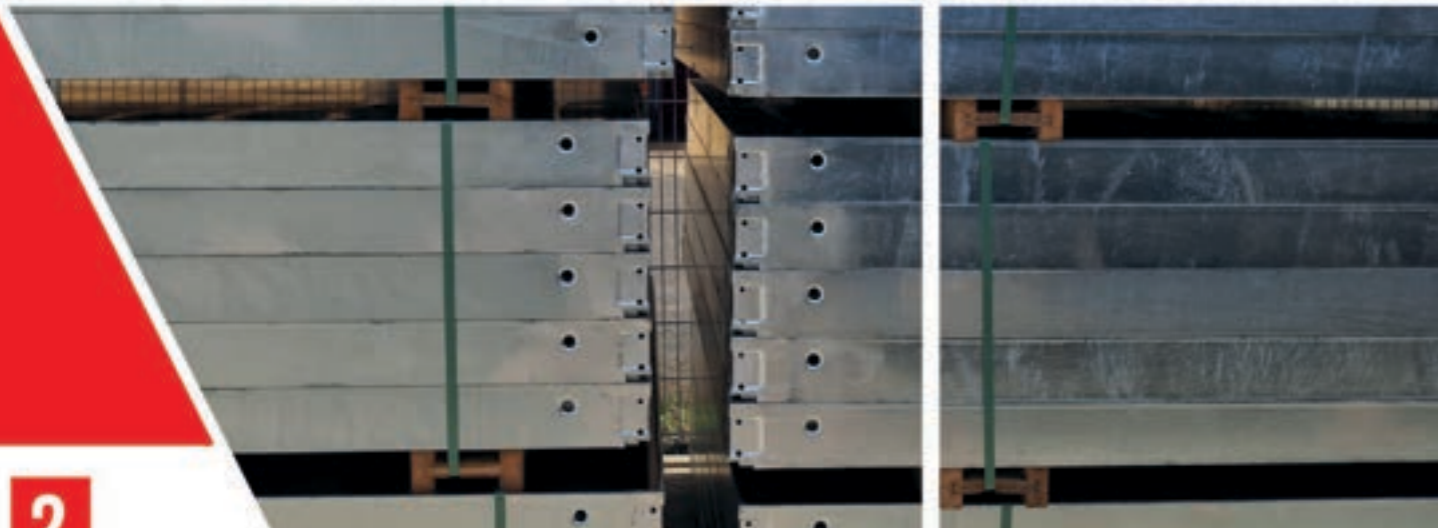
Wing Nut 12x12cm DW15 [galv.]



Lifting hook [powder coated] with certificate



Kicker for Push pull prop [hdg]
PPS1 1,08 m - 1,40 m
PPS2 1,28 m - 1,90 m
PPS3 2,05 m - 2,94 m



Push pull prop [hdg]
PPS1 2,05 m - 2,94 m
PPS2 2,91 m - 3,80 m
PPS3 4,60 m - 6,00 m



Base plate for push pull prop [hdg]
Base plate 2 for push pull prop [hdg]



Prop connector [hdg]

MANAFORM SLAB FORMWORK · SYSTEM ELEMENT T

MANAFORM ACCESSORIES · SYSTEM ELEMENT T



Foundation tie clamp [hdg]



Top tie bracket [hdg]



Counter railing [hdg]



Railing post [hdg]



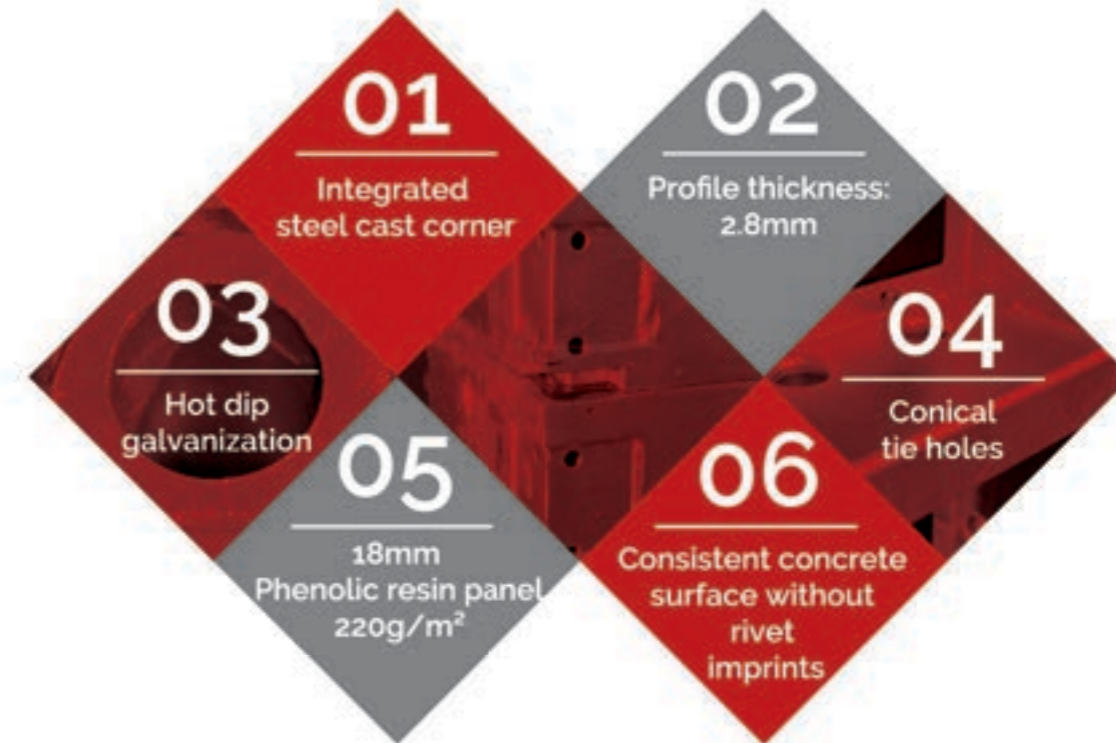
Stop end tie [hdg]



Hook tie DW15/400 [hdg]

MANAFORM Element T – The ultimate jobsite upgrade

Why settle for standard when you can have the optimized solution? The MANAFORM Element T takes field-proven principles and elevates them to a new level of durability and efficiency. We invested heavily right where the stress is highest.



KEY OPTIMIZATIONS IN DETAIL

- 01 Integrated cast corners:** Integrated cast corners absorb heavy impact, providing permanent protection against frame deformation.
- 02 Superior profile thickness:** With a 2.8 mm wall thickness, our frames deliver significantly higher torsional rigidity and robustness compared to conventional profiles.
- 03 Hot dip galvanized finish:** Uncompromising corrosion protection. The entire frame is hot dip galvanized, ensuring minimal cleaning times and maximum service life under the toughest site conditions.
- 04 Conical tie holes:** The tapered geometry prevents concrete binding, ensuring fast and residue-free stripping.
- 05 Phenolic resin panels:** Equipped as standard with 18 mm phenolic resin panels (220 g/m² coating) for a superior concrete finish and a significantly higher number of reuse cycles.
- 06 Concrete finish:** The panels are rear-screwed to guarantee a perfectly uniform concrete finish, entirely free of rivet marks.

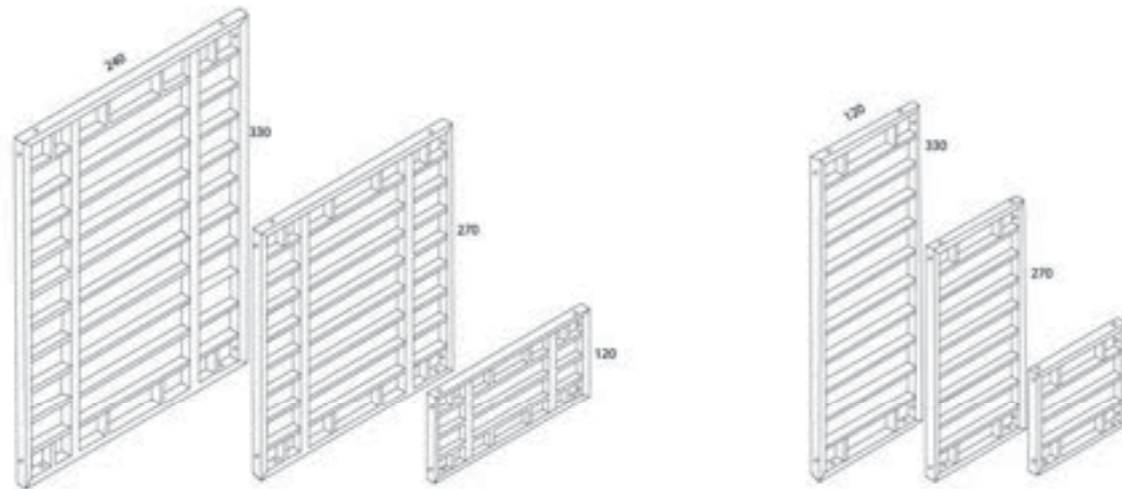
MANAFORM Element T: Superior substance. Superior Precision. Superior Efficiency.

MANAFORM SLAB FORMWORK · SYSTEM ELEMENT T

MANAFORM ACCESSORIES · SYSTEM ELEMENT T

MANAFORM Element T – Precision in every dimension

Our system is based on a consistent grid, guaranteeing maximum on-site flexibility. Whether for large-scale industrial structures or small-scale foundations, our coordinated dimensions ensure optimal results.



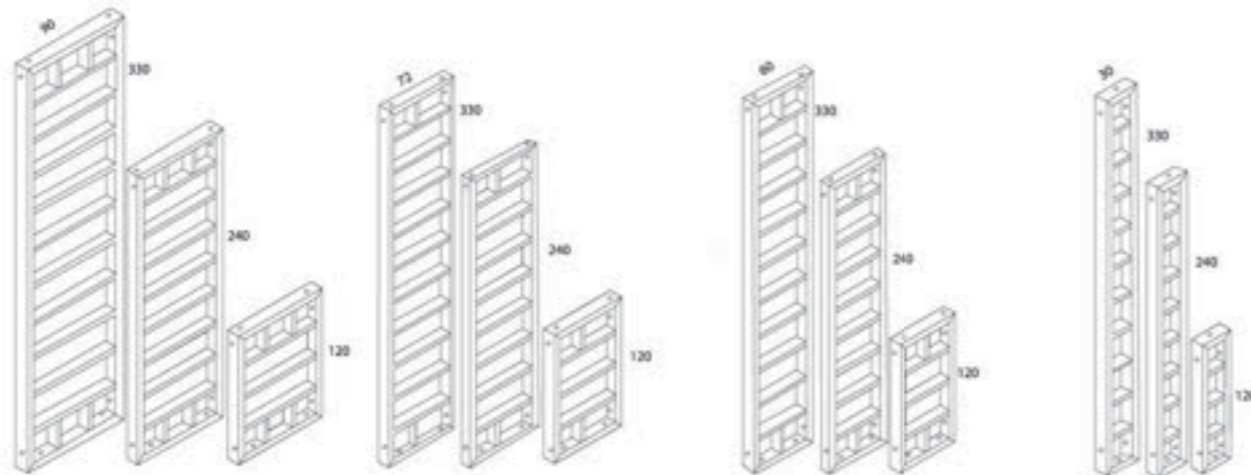
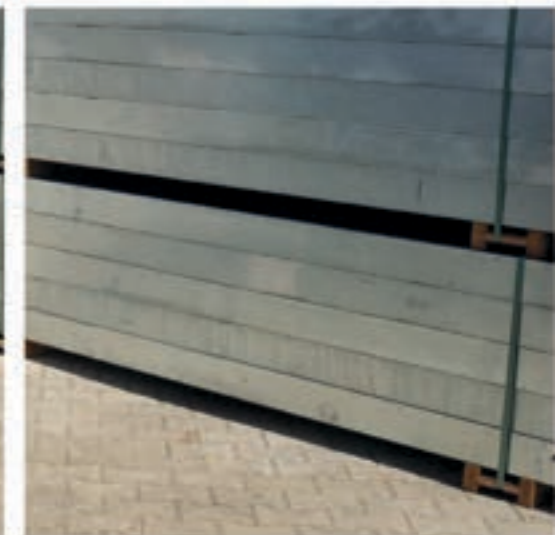
APC clamp [hdg]
APC clamp (38) [hdg]



Compensation waler
[hdg]
80cm + 120cm



Scaffolding bracket 80
[hdg]



Scaffolding brackets 100/112
incl. handrail
[hdg]



Wall thickness compensation
[aluminium powder coated]
5x120 · 6x120 · 10x120 | 5x270 · 6x270 · 10x270 |
5x330 · 6x330 · 10x330 cm]



Foundation bracket
[hdg]