

# ATN

 **Collé** RENTAL  
& SALES

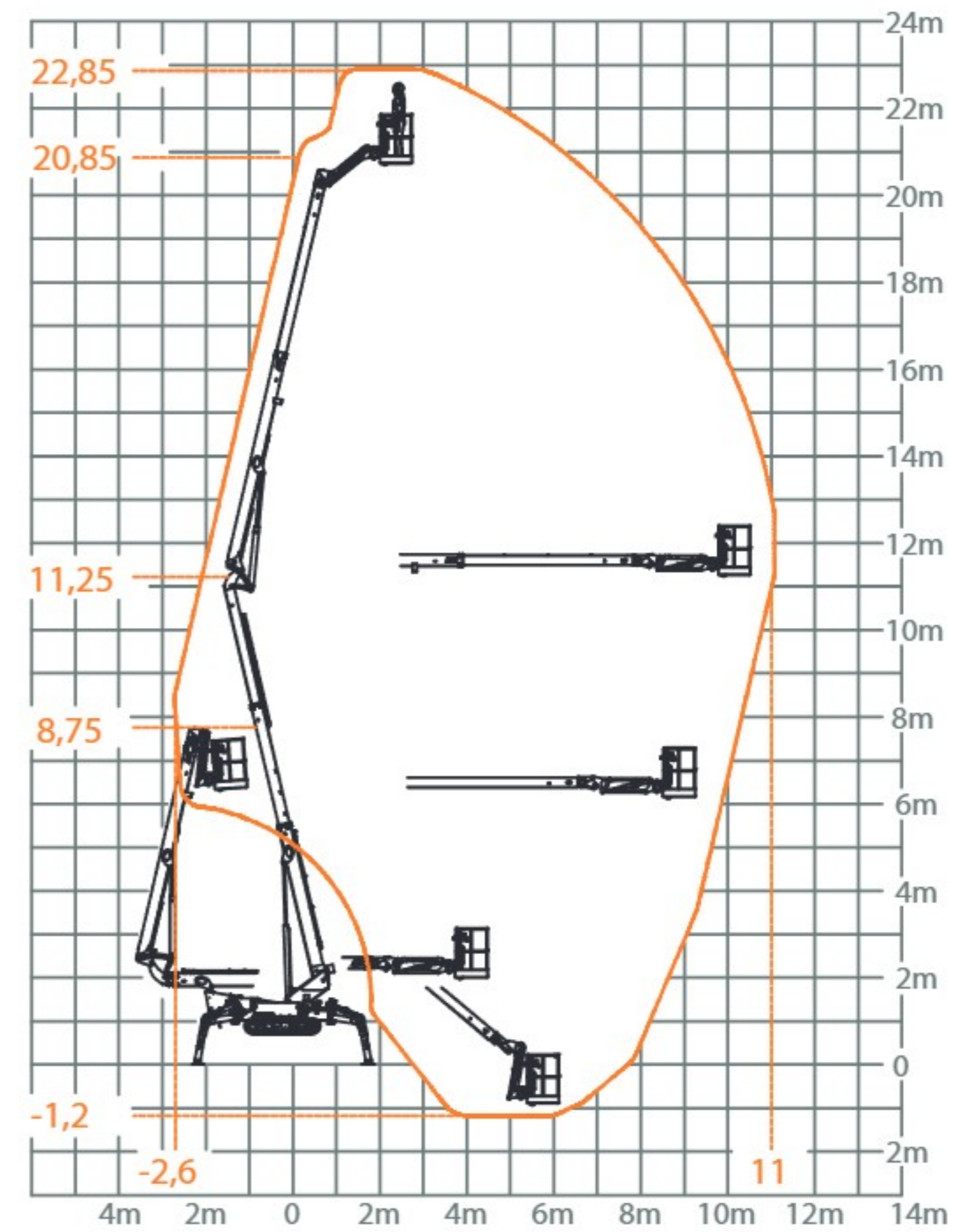
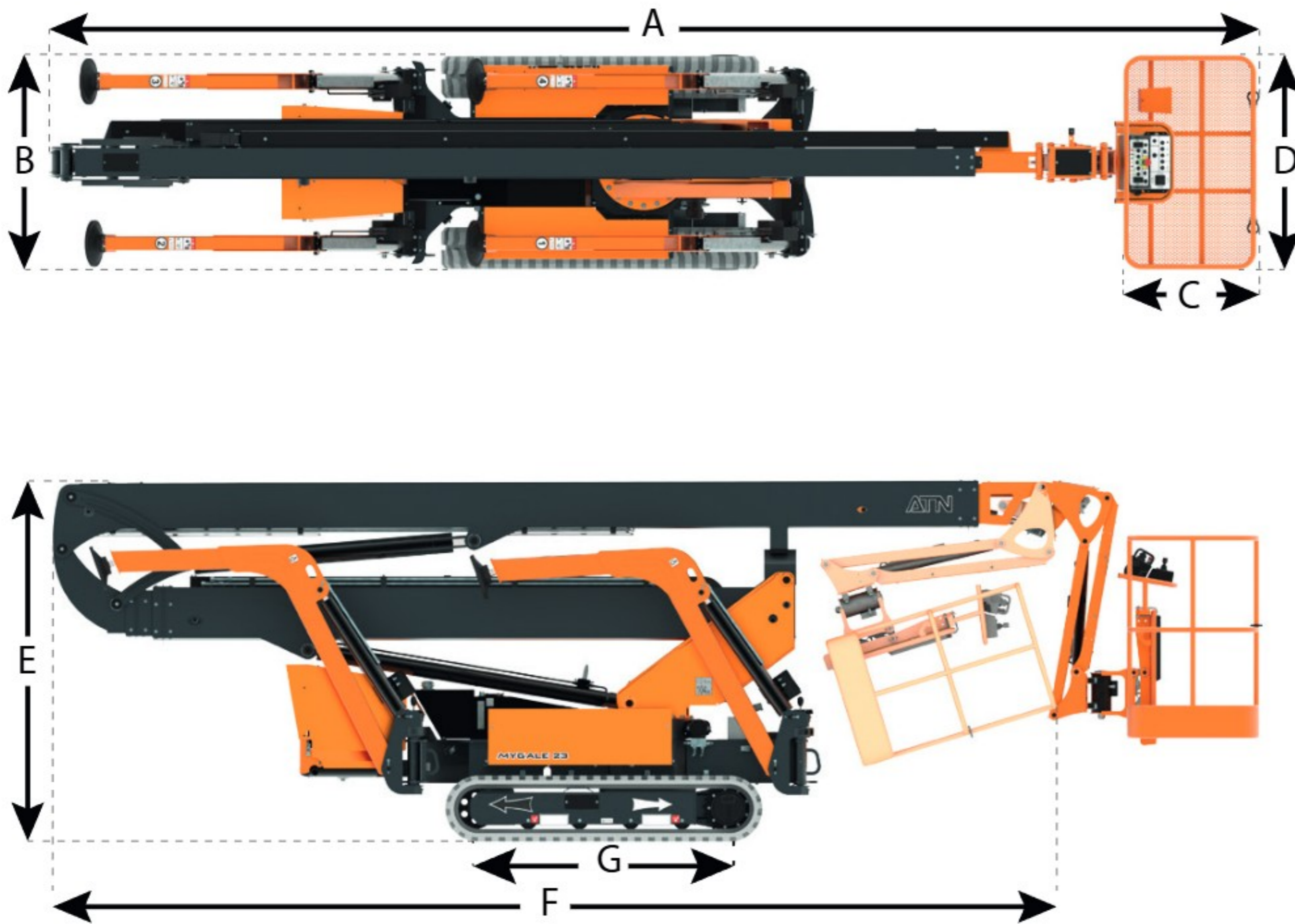
## **MYGALE 23**

TRACK-MOUNTED BOOM



 **Collé** RENTAL  
& SALES

Nusterweg 100-102, 6136 KV Sittard, Nederland | [info@colle.eu](mailto:info@colle.eu) | [www.colle.eu](http://www.colle.eu) | +31 (0)46 - 4574 100



# ATN MYGALE 23

## ADVANTAGES

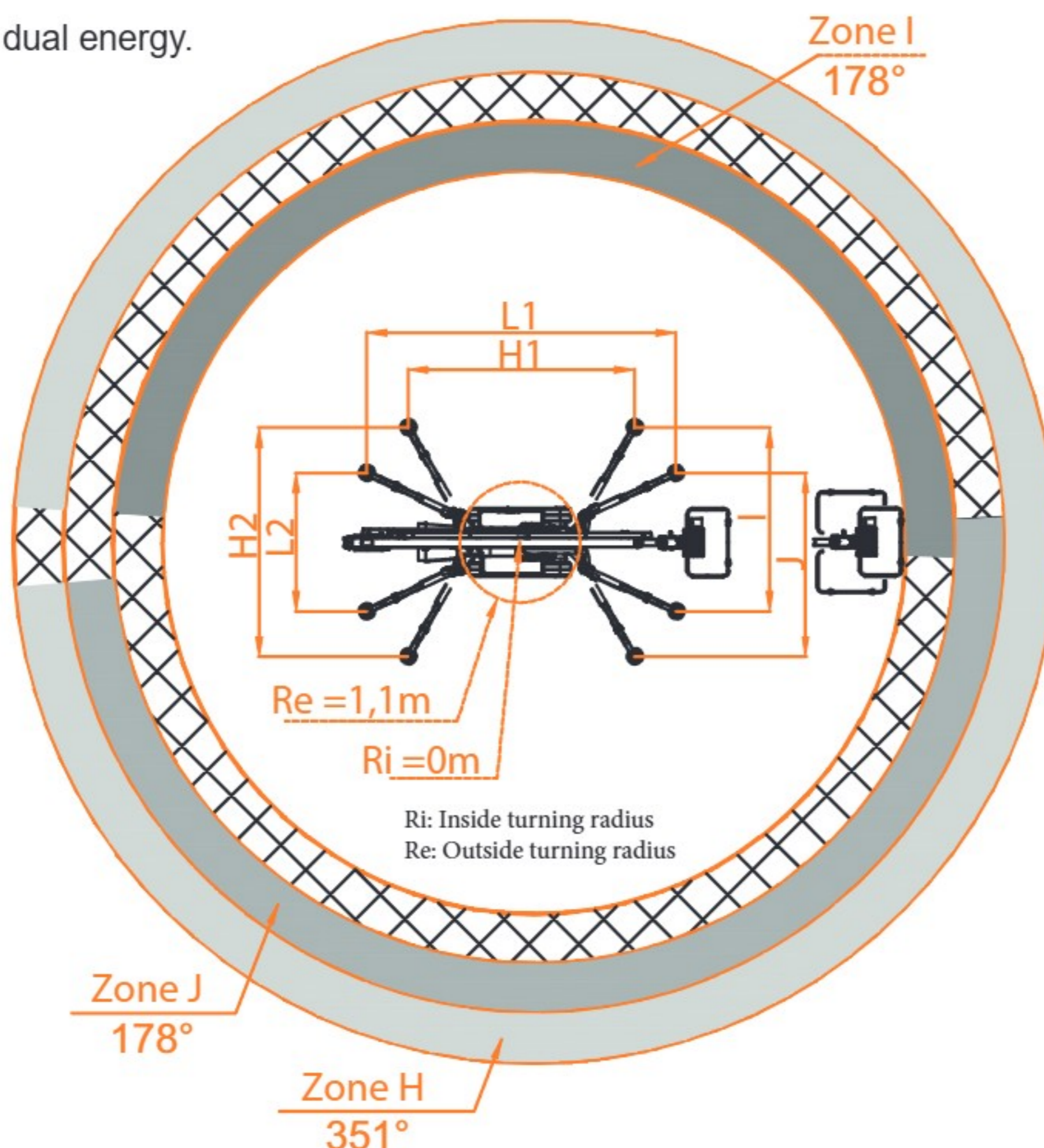
- From 0 to 23 m. in less than a minute.
- Manoeuvrability, simple controls.
- Easy access to hydraulic and electric components.
- Standardisation of components.

## OPTIONS

- 220V AC power to platform.
- Compressed air line.
- Flashing light.
- Motion alarm.
- Anti crush system (A.C.S.).
- Special customer paint colour(s).

## STANDARD FEATURES

- Non-marking rubber tracks.
- Slings rings.
- Overload sensor.
- Onboard colour LCD diagnostic console.
- Tilt indicator with buzzer.
- Hour meter.
- 220V power supply, dual energy.



	MYGALE 23
<b>A</b> Length	6,68 m
<b>B</b> Width	1,19 m
<b>C</b> Platform depth	0,73 m
<b>D</b> Platform width	1,19 m
<b>E</b> Height	1,93 m
<b>F</b> Length (transport position)	5,54 m
<b>G</b> Wheelbase	1,42 m
Working height	22,85 m
Platform height	20,85 m
Min. floor height	0,39 m
Horizontal reach	11,00 m
Lift capacity	230 Kg
Ground bearing pressure on tracks	136 kN/m <sup>2</sup>
Max wind speed	45 Km/h
Ground clearance centre	0,17 m
Track (lxb)	0,72x0,23 m
Surface with outriggers	3,97 x 3,92 m
Max. slope (lengthways)	32 %
Max ground bearing pressure on levelling jacks	167 kN/m <sup>2</sup>
Diesel engine	KUBOTA
Fuel tank capacity	25 L
Hydraulic tank capacity	60 L
Weight	3450 Kg
Power	12,5 kW @ 3600 tr/mn
Wide stabilisation footprint (H1xH2)	3,92x3,97 m / 12,86x13,02 ft
Stabilisation footprint wide and narrow (L1xL)	5,36x3,18 m / 17,58x10,43 ft
Narrow stabilisation footprint (L1xL2)	5,36x2,40 m / 17,58x 7,87 ft