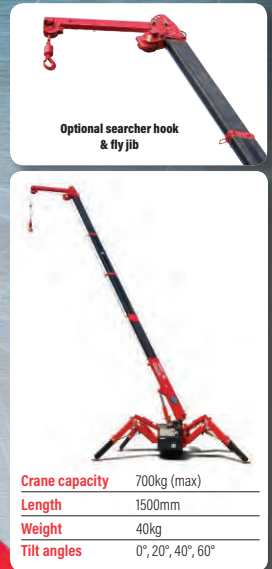


# URW-295

(2.9t x 1.4m)

- Total width 0.6m
- Max working radius 8.41m
- Petrol powered with LPG and electric options
- Diesel powered with electric option
- Zero length increase with electric option (except diesel)
- Operator control of outrigger extension
- Radio remote control as standard
- Working area limitation
- Slew limitation (optional)
- Intelligent throttle activation for economy and ecology



Crane capacity	700kg (max)
Length	1500mm
Weight	40kg
Tilt angles	0°, 20°, 40°, 60°

The URW-295 is the first mini crane available in Europe narrow enough to allow access through a standard doorframe, but with almost 3 tonnes of lifting power. It also leads the way technically with an array of innovative safety features including a computer-controlled, intelligent voice warning system and the unique UNIC pressure compensation proportional valve, which allows multi-function radio remote control operation.



## CRANE SPECIFICATIONS

<b>Crane capacity</b>	capacity:	2.9t x 1.4m
<b>Max working radius</b>	max:	8.41m
<b>Max lifting height</b>	approx:	8.8m (9.8m with manual fly jib, 10.47m with fixed hook)
<b>Rope length</b>	max:	1432 m (4 fall), 2924 m (2 fall), 5947 m (1 fall)
<b>Dimensions</b>	folded:	2690mm (2905mm diesel & electrical dual) (l) x 600mm (w) x 1375mm (h)
<b>Weight</b>	unladen:	1850kg (1950kg with electric option, 1920kg with diesel option, 2090kg with diesel and electric dual option)
<b>Point loadings</b>	Due to the many variables involved, point loadings are only available on request	
<b>Hook speed</b>	approx:	10m/min (with 4 layers and 4 falls)
<b>Telescopic system</b>	boom length:	2.53 - 8.65m
	telescoping speed:	6.12m/20 seconds
	boom type:	5 section, hydraulically telescoping boom, hexagonal box construction
<b>Derricking angle/speed</b>	approx:	0 - 78° / 11 seconds
<b>Slewing angle/speed</b>	approx:	360° (continuous) 1.5 min rpm
<b>Traction system</b>	drive:	hydrostatic, stepless forward and reverse
	travel speed:	0 - 2.3 km/h
	gradeability:	± 20° (vertical) 10° (traverse)
	track ground length:	1050mm
	track ground pressure:	48kPa (0.49 kg/cm <sup>2</sup> )
<b>Engine</b>	manufacturer:	Mitsubishi (Kubota diesel)
	drive:	petrol with LPG and electric options, diesel with electric option
	maximum output:	9.6kW (13PS) / 2000min rpm
	starting method:	electric and recoil start as standard
	tank capacity:	6 litres petrol, 9 litres diesel
<b>Electric motor</b>	power:	3.7kW
	voltage:	400v AC 50/60Hz
<b>Standard equipment</b>	computer controlled moment limiter (safe load indicator), radio remote control, overwinding alarm, computer controlled intelligent voice warning system, multi-function operation by radio remote control, intelligent throttle activation, automatic hook stow, overload warning alarms, overload warning lamps, working area limitation	
<b>Optional equipment</b>	1 fall hook block, 2 fall hook block, LPG dual power, mains electric dual power (400v), diesel engine, low marking tracks, slew limitation, searcher hook small 300kg, searcher hook 700kg, manual fly jib 700kg with single part line, radio remote control with feedback display (with 14500 SLJ) and data logging, URW-295-3 variable outriggers, 750kg hydraulic fly jib	

## ADDITIONAL FEATURES



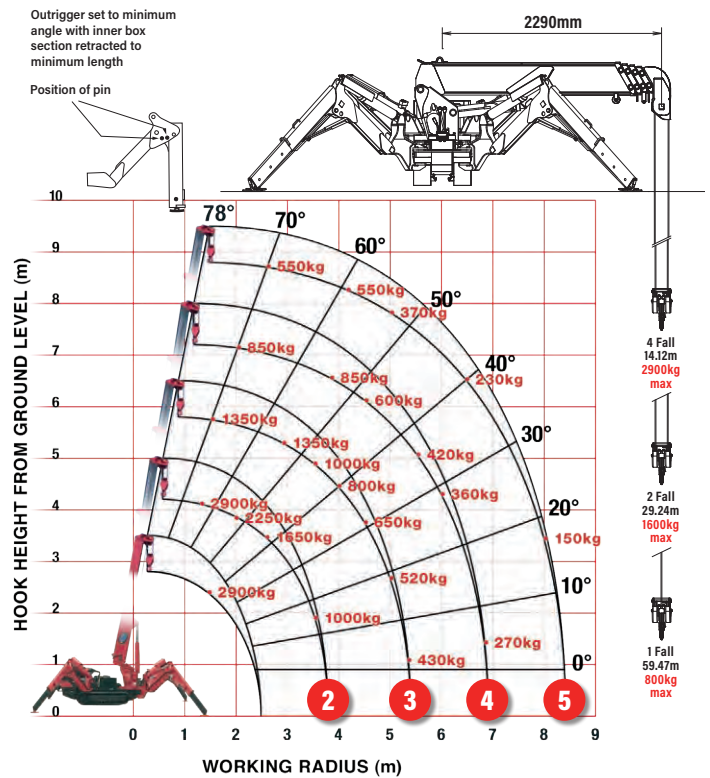
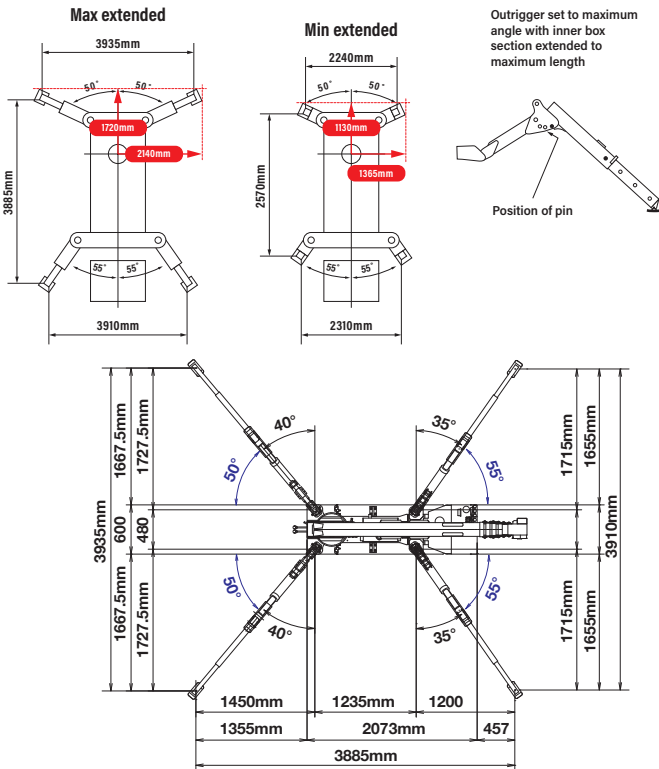
Radio remote control



Full safe load indicator

# MINI SPIDER CRANE

## RATED LOADS & OUTRIGGER POSITIONS



### SECOND STAGE EXTENDED 2.53 - 4.075M BOOM LENGTH

Working radius	m	up to 1.0	1.4	1.5	1.8	2.0	2.5	3.0	3.5	3.835
Outrigger	kg	2900	2900	2650	2250	2050	1650	1300	1000	900
	kg	2000	2000	2000	1450	1100	650	490	350	250

### THIRD STAGE EXTENDED 4.075 - 5.61M BOOM LENGTH

Working radius	m	up to 2.2	2.5	2.9	3.0	3.5	4.0	4.5	5.0	5.37
Outrigger	kg	1350	1350	1350	1250	1000	800	650	520	430
	kg	800	650	530	500	380	280	220	160	120

### FOURTH STAGE EXTENDED 5.61 - 7.13M BOOM LENGTH

Working radius	m	up to 3.3	3.8	4.0	4.5	5.0	5.5	6.0	6.5	6.89
Outrigger	kg	850	850	750	600	500	420	360	320	270
	kg	420	340	300	250	190	140	100	80	60

### FIFTH STAGE EXTENDED 7.13 - 8.65M BOOM LENGTH

Working radius	m	up to 3.8	4.1	4.5	5.0	5.5	6.0	6.5	7.0	8.0	8.41
Outrigger	kg	550	550	450	370	310	270	230	200	150	130
	kg	350	290	250	200	160	130	100	70	40	30

### SEARCHER HOOK SMALL - 300kg

Stowed position



In operation



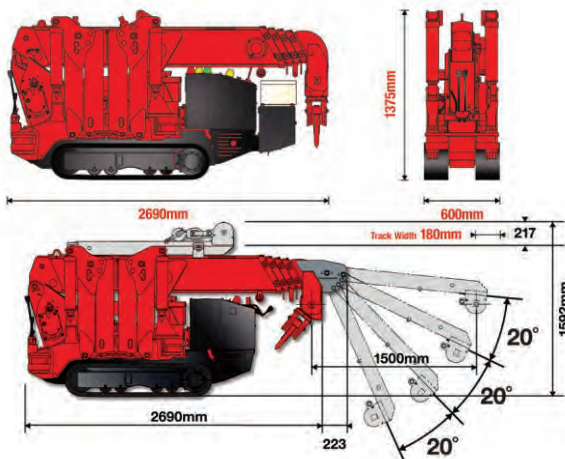
Crane capacity 300kg (max)

Length 500mm

Weight 15kg

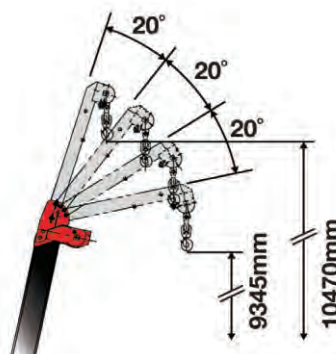
Tilt angles 0°, 20°, 40°, 60°

## DIMENSIONS



## SEARCHER HOOK

Searcher Hook - Maximum Load  
500kg-700kg (radius rated)



## FLY JIB

Fly Jib - Maximum Load  
400kg-700kg (angle rated)

